

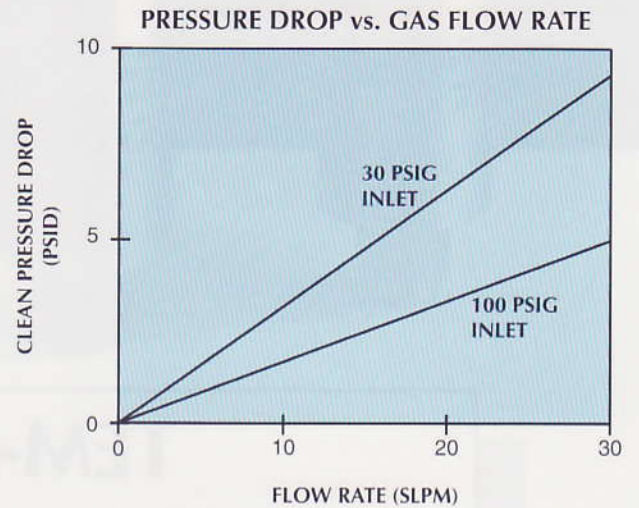
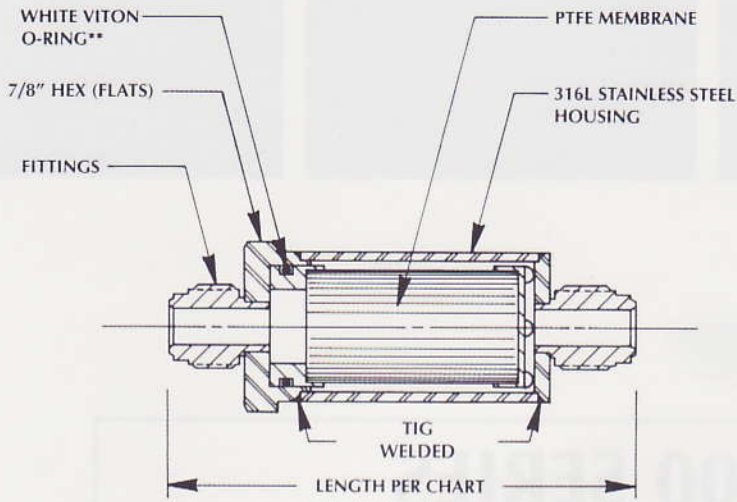


## TEM-900 SERIES GAS FILTERS

- ▶ 99.999999% Efficient @ 0.003 Microns
- ▶ Two-Layers of Teflon (PTFE) Membrane
- ▶ 19.75 cm<sup>2</sup> Effective Filtration Area
- ▶ 316L, 10 RMS electro-polished (inside) stainless steel housing
- ▶ 3,000 psig operation pressure at 250°F
- ▶ Helium leak tested to 1 X 10<sup>-9</sup> cc/sec.
- ▶ 100% Pressure Tested
- ▶ Available with Swagelok, VCR, VCO, and N.P.T. fittings
- ▶ Interchangeable with all Pall and Millipore Filters
- ▶ Compatible with all Semiconductor Grade Gases

TEM-900 Series filters are specifically designed for the point-of-use filtration of critical semiconductor gases. The supported teflon (PTFE) membrane construction insures the highest filtration efficiency along with decreasing the possibility of membrane rupture in the event of gas flow reversal. The 316L stainless steel housing is rated over 3,000 psig at 250°F.

The final assembly is TIG welded with argon gas purge. The interior stainless surfaces have a 10 RMS electro-polished finish or better. All filters are nitrogen purged, particle checked and repurged with nitrogen before vacuum packaged. This procedure allows for rapid clean up after installation.

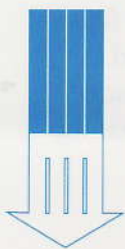


\* Teflon O-Ring available

### FILTER CHART

Standard Fitting	TEM	Pall Gaskleen	Millipore	Length
Compression Seal (Swagelok Compatible)	TEM-911		WGFG 01H S1	2.88"
	TEM-911	GLFPF3000SM4		2.88"
Gasket Seal (VCR Compatible)	TEM-915		WGFG 01H R1	3.31"
	TEM-915	GLFPF3000VM4	WG 2FT1 RR2	3.31"
O-Ring Seal (VCO Compatible)	TEM-925		WGFG 01H C1	3.00"
	TEM-925	GLFPF3000VO4		3.00"
Gasket Seal (VCR/9/16-18 UNF Compatible)	TEM-915 MFCM		WGFG 01R H2	3.38"
	TEM-915 MFCP	GLFPF3000MFC9		3.11"

Recommended changeout interval: 12 months



### T.E.M. FILTER COMPANY

3350 Scott Blvd., Bldg. 47  
 Santa Clara, CA 95054  
 (408) 988-4460  
 FAX (408) 727-4452

### Distributed By: