

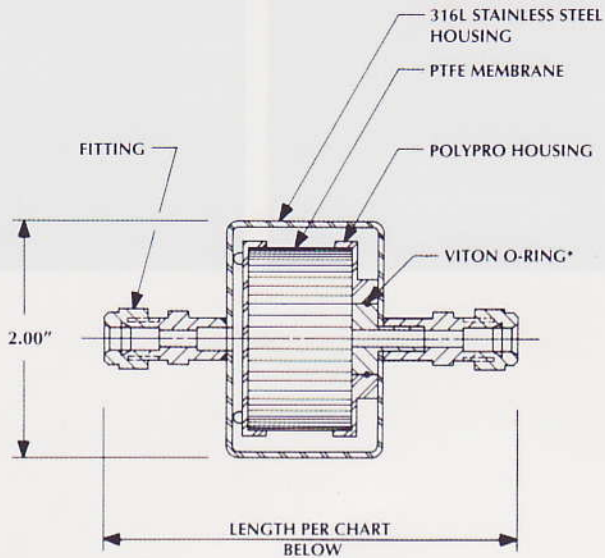


TEM-800 SERIES GAS FILTERS

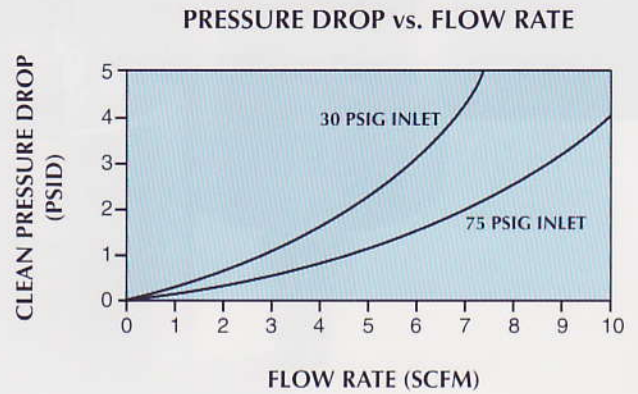
- ▶ 99.999999% Efficient @ 0.003 Microns
- ▶ Teflon (PTFE) Membrane
- ▶ 0.5 square foot Effective Filtration Area
- ▶ 316L, 10Ra finish, electro polished stainless steel housing
- ▶ 750 psig operation pressure at 250°F
- ▶ Helium leak tested to 1×10^{-9} cc/sec.
- ▶ Available with Swagelok, VCR, VCO and N.P.T. fittings
- ▶ Interchangeable with all Pall and Millipore Filters
- ▶ Compatible with all Semiconductor Grade Gases

TEM-800 Series filters are specifically designed for filtration of critical semiconductor gases where flow rates of more than 20 liters per minute are required. The filters use a teflon membrane in a small pleated cartridge form to provide .003 micron absolute filtration. The

teflon membrane cartridge is encapsulated in a 316L stainless steel housing that is electro-polished and totally welded. The final assembly is purged at a high flow rate with filtered nitrogen for initial cleanliness.



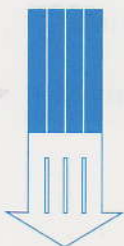
* Teflon O-Ring available



FILTER CHART

Fitting	TEM	Millipore	Pall	Length
Compression Seal (Swagelok Compatible)	TEM-811			3.820"
	TEM-811M	WG2F 06 WS1		4.438"
	TEM-811P		GLF 6101 SM4S	5.563"
Gasket Seal (VCR Compatible)	TEM-815			3.730"
	TEM-815M	WG2F 06 WR1		5.000"
	TEM-815P		GLF 6101 VM4	5.563"
O-Ring Seal (VCO Compatible)	TEM-825			3.800"
	TEM-825M	WG2F 06 WC1		4.620"
Compression Seal (3/8 Swagelok Compatible)	TEM-811-6			4.000"
	TEM-811-6M	WC2F 36 WS1		4.640"
	TEM-811-6P		GLF 6101 SM6S	5.813"
Gasket Seal (3/8 VCR Compatible)	TEM-815-6			4.555"
	TEM-815-6M	WG2F 36 WR1		5.000"
	TEM-815-6P		GLF 6101 VM6	5.813"

Recommended changeout interval: 12 months



T.E.M. FILTER COMPANY

3350 Scott Blvd., Bldg. 47
 Santa Clara, CA 95054
 (408) 988-4460
 FAX (408) 727-4452

Distributed By: