



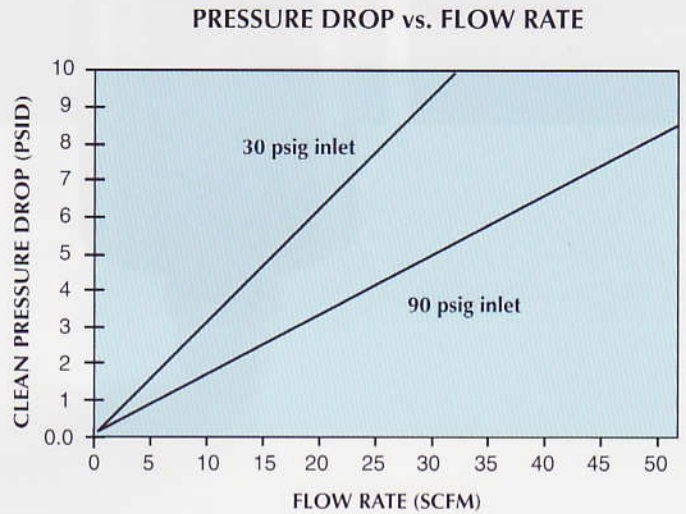
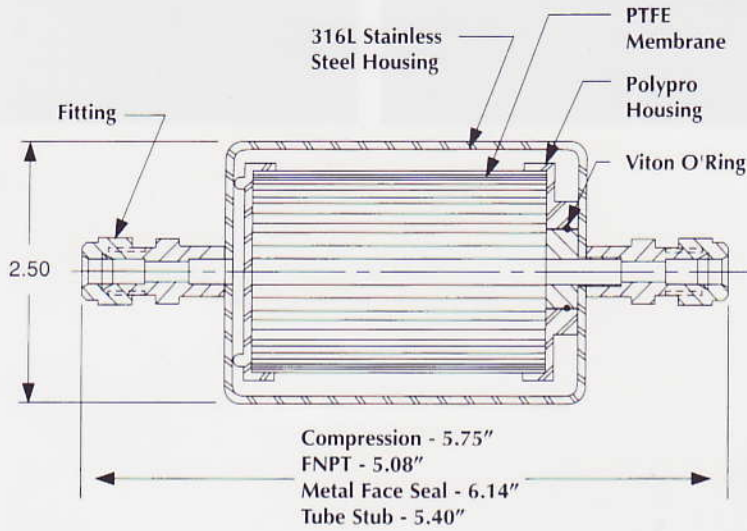
TEM-500 SERIES GAS FILTERS

- ▶ 99.9999999% Efficient @ 0.003 Microns
- ▶ 1.2 Square Feet of Teflon PTFE Membrane
- ▶ 316L Electro-polished Stainless Steel Housing
- ▶ 10 RA Interior Finish
- ▶ 250 psig Operating Pressure at 250°F
- ▶ Helium Leak Tested to 1×10^{-9} cc/sec
- ▶ Compatible with all Semiconductor Grade Gases
- ▶ Available with NPT, Compression, Metal Face Seal and Tube Stub

TEM - 500 Series filters are specifically designed for filtration of semiconductor grade gases where flow rates to 25 SCFM are required. This all-welded assembly will deliver 0.003 micron absolute filtration where a high flow rate is required and space is small

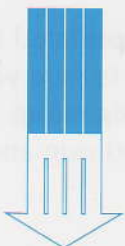
This Teflon membrane cartridge is encapsulated in a 316L stainless steel housing designed to give you a greater margin of safety with a 250 psig rating (plastic capsules are typically rated at 60 psig and small volume housings are 150 psig).

This economically priced filter is T.I.G. welded and helium leak tested to 1×10^{-9} cc/sec.



FILTER CHART

TEM Model	Fitting Description
TEM-528-6	3/8" FNPT Fittings
TEM-528-8	1/2" FNPT Fittings
TEM-511-6	3/8" Compression Fittings
TEM-511-8	1/2" Compression Fittings
TEM-515-6	3/8" Metal Face Seal Fittings
TEM-515-8	1/2" Metal Face Seal Fittings
TEM-550-6	3/8" Tube Stub Fittings
TEM-550-8	1/2" Tube Stub Fittings



T.E.M. FILTER COMPANY

3350 Scott Blvd., Bldg. 47
 Santa Clara, CA 95054
 (408) 988-4460
 FAX (408) 727-4452

Distributed By: