

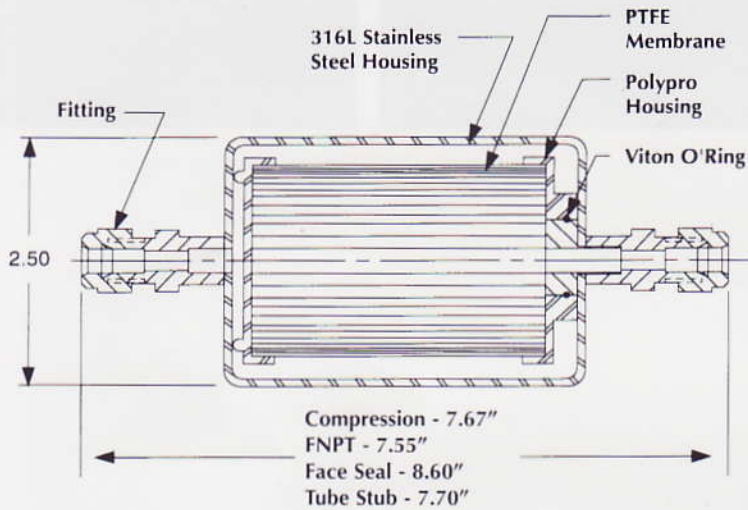


## TEM-400 SERIES GAS FILTERS

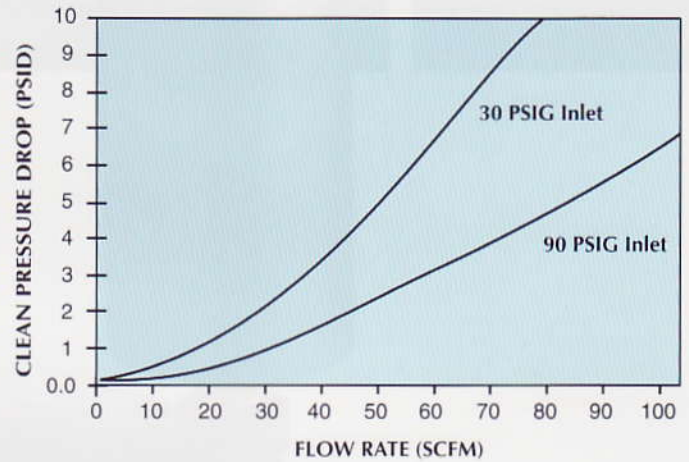
- ▶ 99.9999999% Efficient @ 0.003 Microns
- ▶ 2.0 ft<sup>2</sup> of Teflon (PTFE) Membrane
- ▶ 316L, 10 RA Electro-polished Stainless Steel Housing
- ▶ 250 psig Operating Pressure rated at 250°F
- ▶ Helium Leak Tested to  $1 \times 10^{-9}$  cc/sec
- ▶ Compatible with all Semiconductor Grade Gases
- ▶ Available with NPT, Compression, Metal Face Seal and Tube Stub

TEM - 400 Series filters are specifically designed for filtration of semiconductor grade gases where flow rates to 75 SCFM are required. This all-welded assembly will deliver 0.003 micron absolute filtration where a high flow rate is required and space is small.

This Teflon membrane cartridge is enclosed in a 316L stainless steel electro-polished welded housing. Final assembly is purged with filtered nitrogen for initial cleanliness.

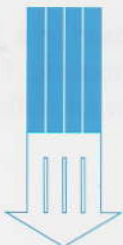


PRESSURE DROP vs. FLOW RATE



## FILTER CHART

TEM Model	Fitting Description
TEM-428-6	3/8" FNPT Fittings
TEM-428-8	1/2" FNPT Fittings
TEM-411-6	3/8" Compression Fittings
TEM-411-8	1/2" Compression Fittings
TEM-415-6	3/8" Metal Face Seal Fittings
TEM-415-8	1/2" Metal Face Seal Fittings
TEM-450-BW6	3/8" Butt Weld Fittings
TEM-450-BW8	1/2" Butt Weld Fittings
TEM-450-BW12	3/4" Butt Weld Fittings



### T.E.M. FILTER COMPANY

3350 Scott Blvd., Bldg. 47  
 Santa Clara, CA 95054  
 (408) 988-4460  
 FAX (408) 727-4452

### Distributed By: