

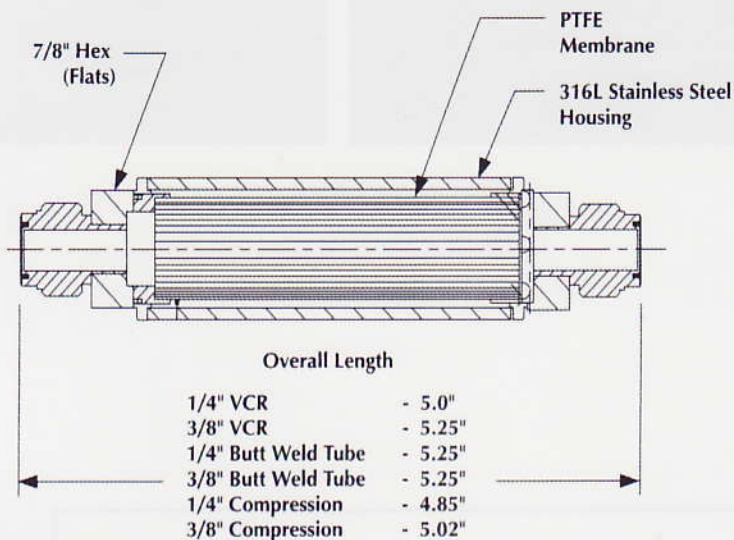
TEM-1900 SERIES GAS FILTERS

- ▶ **99.9999999% Efficient @ 0.003 Microns**
- ▶ **Two Layers of Teflon (PTFE) Membrane**
- ▶ **39.5 cm² Effective Filtration Area**
- ▶ **316L, 10 RA Electro-polished (inside) Stainless Steel Housing**
- ▶ **3000 psig Pressure Rated at 250°F**
- ▶ **Helium Leak Tested to 1×10^{-9} cc/sec.**
- ▶ **Downstream Cleanliness Less Than 1 Particle Cubic Foot ≤ 0.01 Microns**
- ▶ **Volatiles ≤ 10 ppb Moisture**
- ▶ **Available with Gasket Seal, Compression and Butt Weld Tube Fittings**
- ▶ **Interchangeable with all Millipore Filters**
- ▶ **Compatible with all Semiconductor Grade Gases**

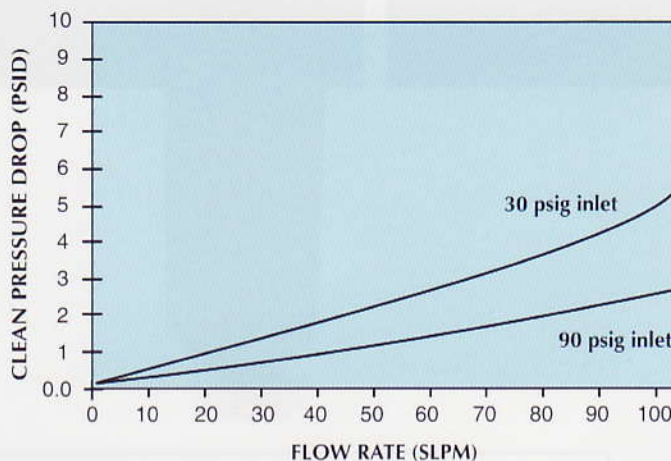
TEM-1900 Series filters are specifically designed for point-of-use filtration of critical semiconductor grade gases for flows to 100 s.l.p.m. The Teflon membrane is totally supported by a PTFE core with a prefiltration layer of PTFE for reverse flow support.

The 316L stainless steel housing is rated over 3,000 psig at 250°F. The interior surfaces are electro-polished with a 10 RA finish or better.

All TEM filters are nitrogen purged particle checked and repurged with nitrogen before vacuum packaging. This procedure allows for rapid clean up after installation.

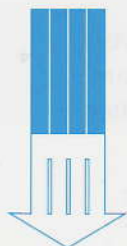


PRESSURE DROP vs. FLOW RATE



FILTER CHART

TEM Model	Fitting Description	Millipore
TEM-1911	1/4" Compression Fittings (Swagelok Compatible)	WG2F02PS1
TEM-1911-6	3/8" Compression Fittings (Swagelok Compatible)	WG2F32PS1
TEM-1915	1/4" Gasket Seal Fittings (VCR Compatible)	WG2F02RR2
TEM-1915-6	3/8" Gasket Seal Fittings (VCR Compatible)	WG2F02RR4
TEM-1950	1/4" Butt Weld Tube	WG2F02JJ2
TEM-1950-6	3/8" Butt Weld Tube	
TEM-1950-8	1/2" Butt Weld Tube	WG2F02JJ4



T.E.M. FILTER COMPANY

3350 Scott Blvd., Bldg. 47
 Santa Clara, CA 95054
 (408) 988-4460
 FAX (408) 727-4452

Distributed By: